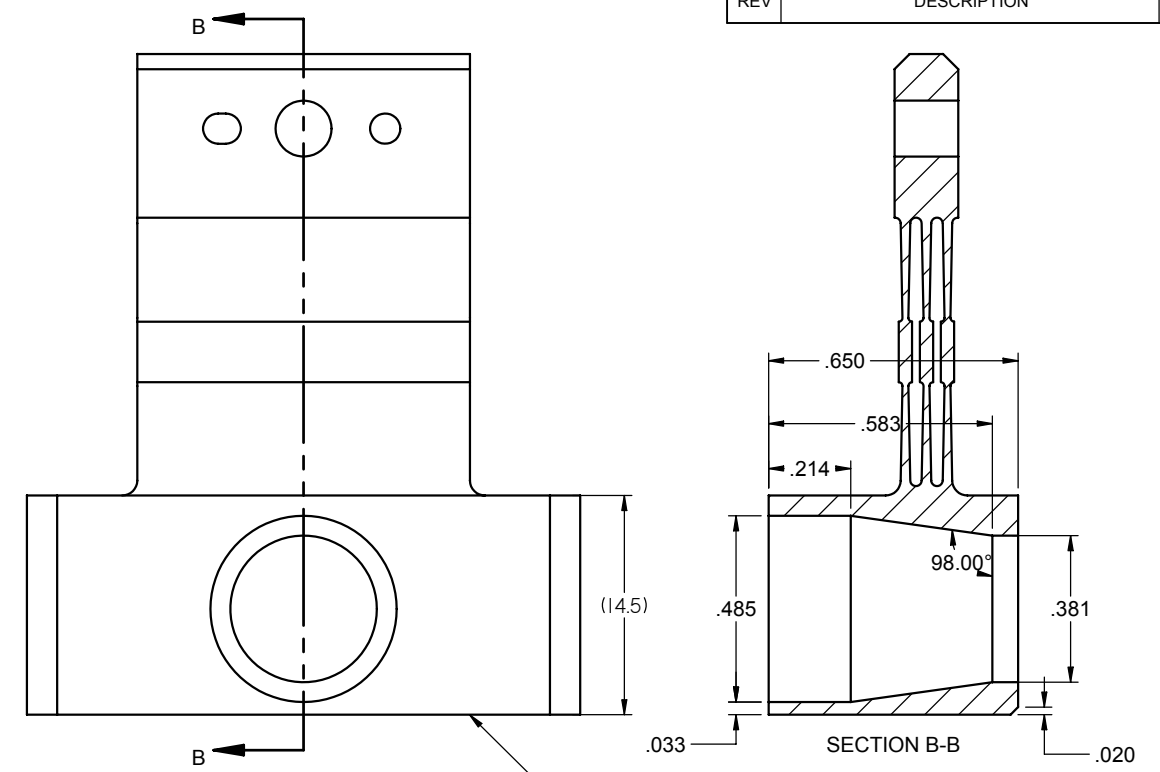
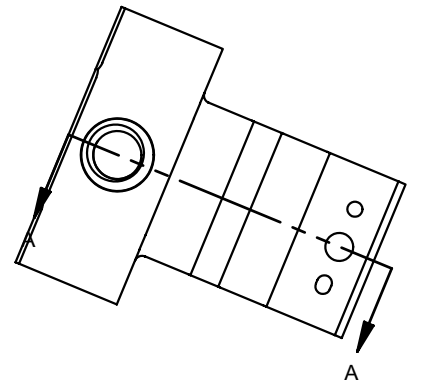
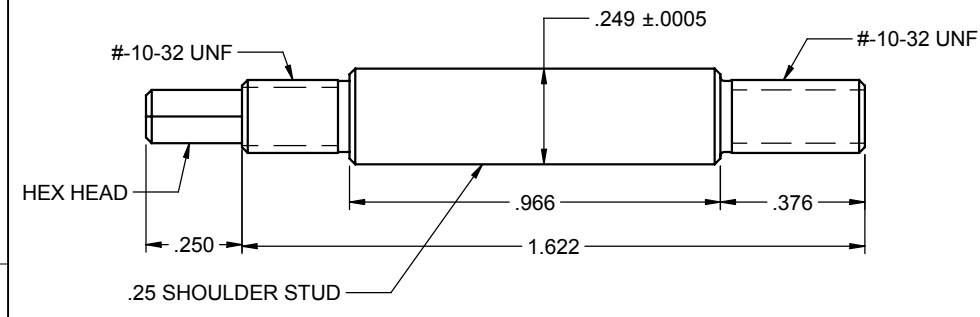
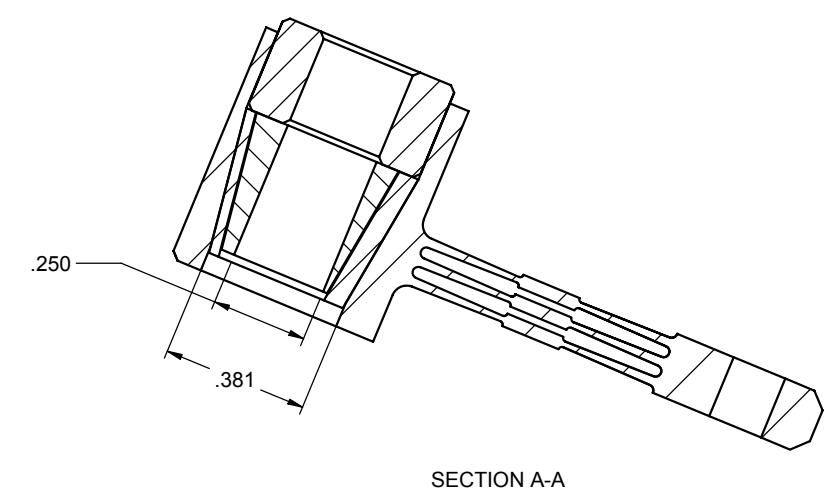


TURN PLUG INNER
TITANIUM

TURN PLUG OUTER
316 SST



CORNER BRACKET



SECTION A-A

CHECK-PRINT
 brijesh
 12-22-2003 10:55:07 AM

---	DIMENSIONING AND TOLERANCING IS IN ACCORDANCE WITH ASME Y14.5M-1994.	SCALE: 4:1	DO NOT SCALE DRAWING	CAD FILE NAME: turn-plug-inner_tkr.dft
---	UNLESS OTHERWISE SPECIFIED DIMENSIONS ARE IN INCHES.	STANFORD LINEAR ACCELERATOR CENTER U.S. DEPARTMENT OF ENERGY STANFORD UNIVERSITY		LAT TRACKER TOWER ASSEMBLY CORNER FLEXURE VARIABLE PLUG
---	TOLERANCES: BREAK EDGES .005-.015 INTERNAL CORNERS R.015 MAX FRACTIONS ± ---	PROPRIETARY DATA OF STANFORD UNIVERSITY AND/OR U.S. DEPARTMENT OF ENERGY. RECIPIENT SHALL NOT PUBLISH THE INFORMATION WITHIN UNLESS GRANTED SPECIFIC PERMISSION OF STANFORD UNIVERSITY.		
LAT-DS-00722	DEC .xx ± 0.8 .xxx ± 0.05 .xxxx ± 0.01 ANGLE ± 0.5	ENGR T. BORDEN DWN BHATNAGAR CHKR T. BORDEN	DATE APPROVALS T. BORDEN R. JOHNSON A. BREZ E. SWENSEN	DRAWING NUMBER LAT-DS-0
NEXT ASSEMBLIES:	63 ALL SURF ✓			REVISION NUMBER --