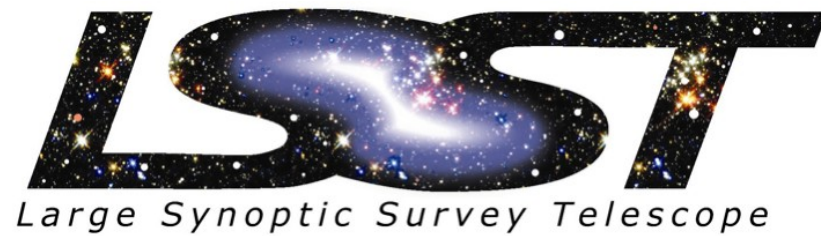







Cryostat Assembly

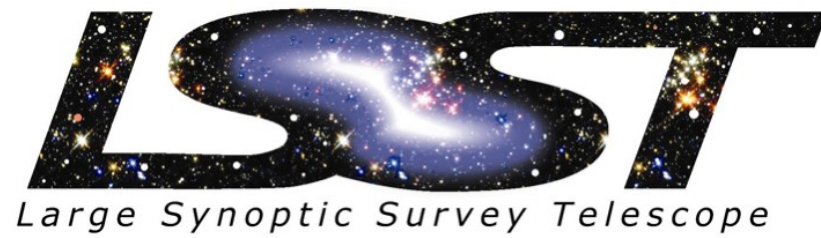
17 September 2008



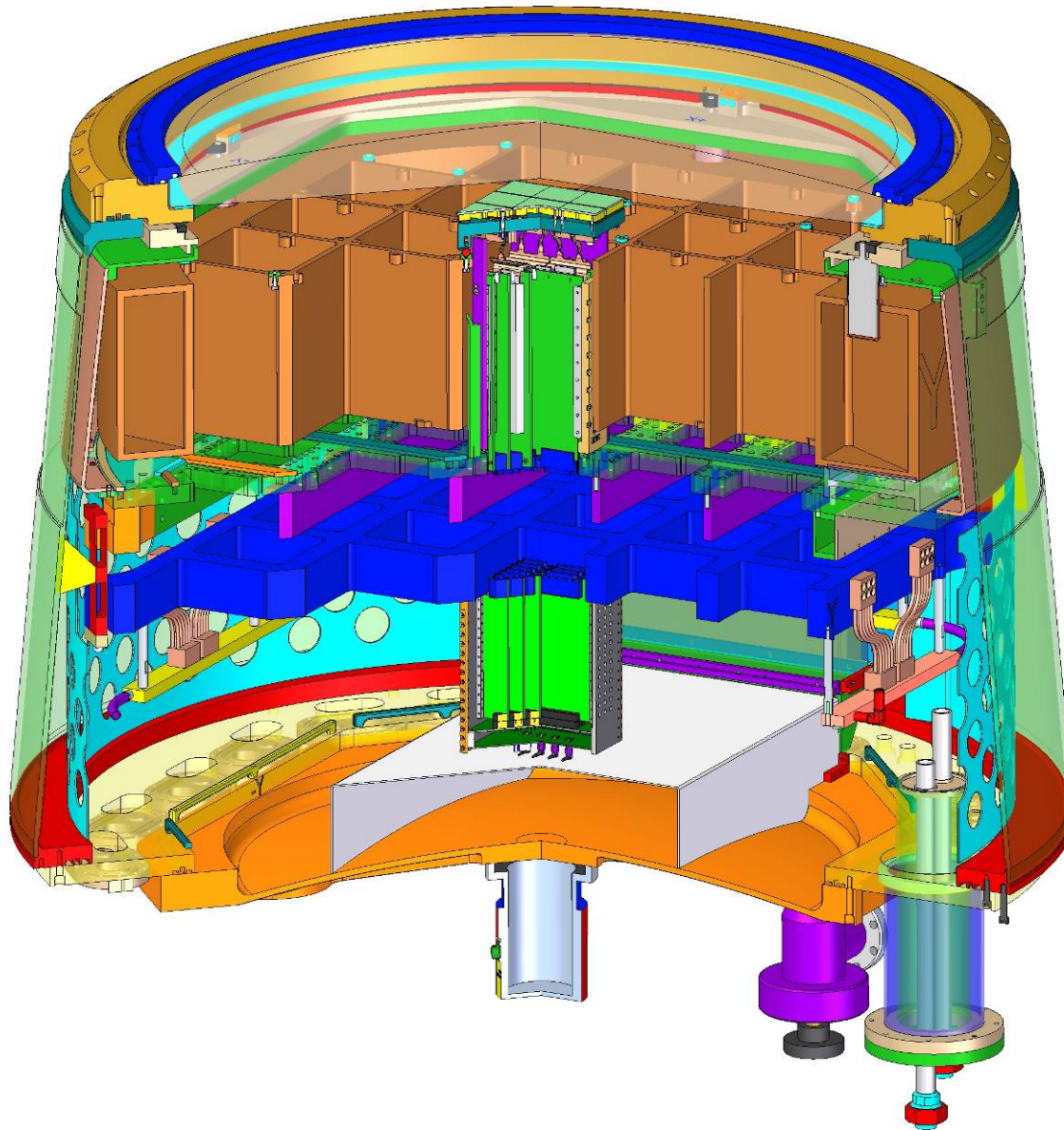
Martin Nordby, Rafe Schindler, Gary Guiffre, Rick Van Berg

- **General Cryostat section views** 
- **Raft Tower load transfer process** 
- **Integration fixturing** 
- **Back end cable routing** 
- **Front end vacuum barrier** 

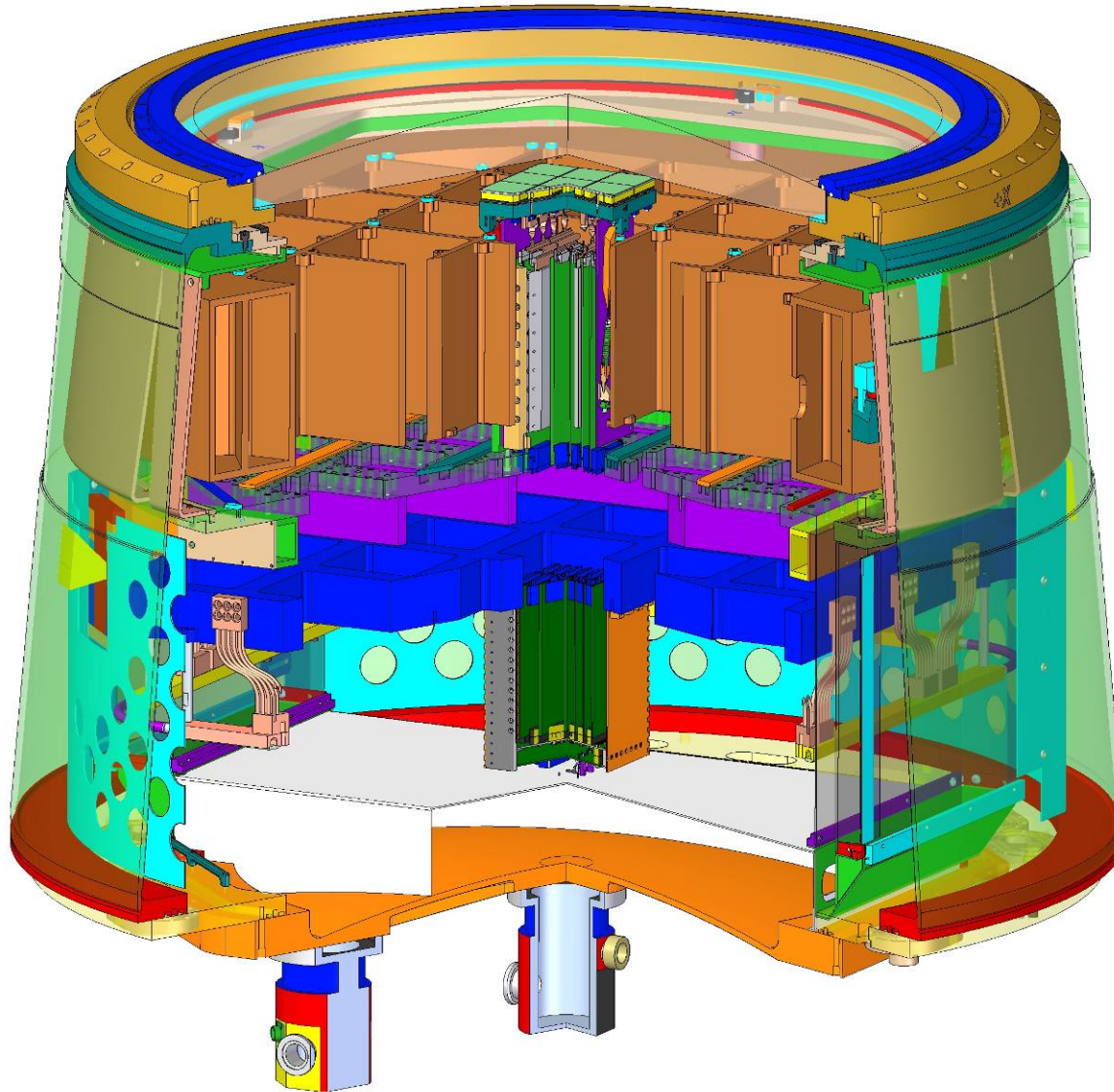
Cryostat Section Views



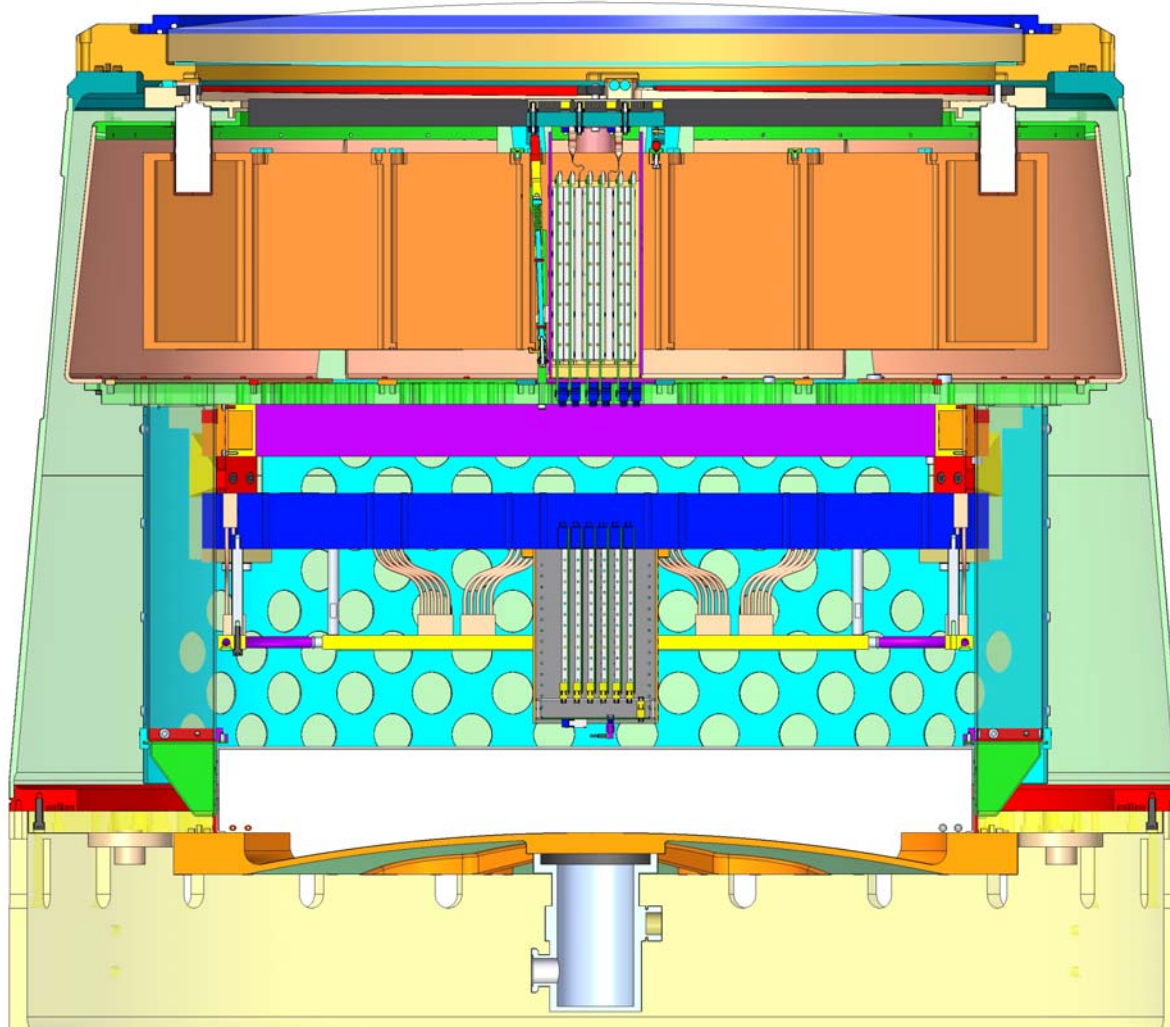
Cryostat 2/3 Section Isometric View



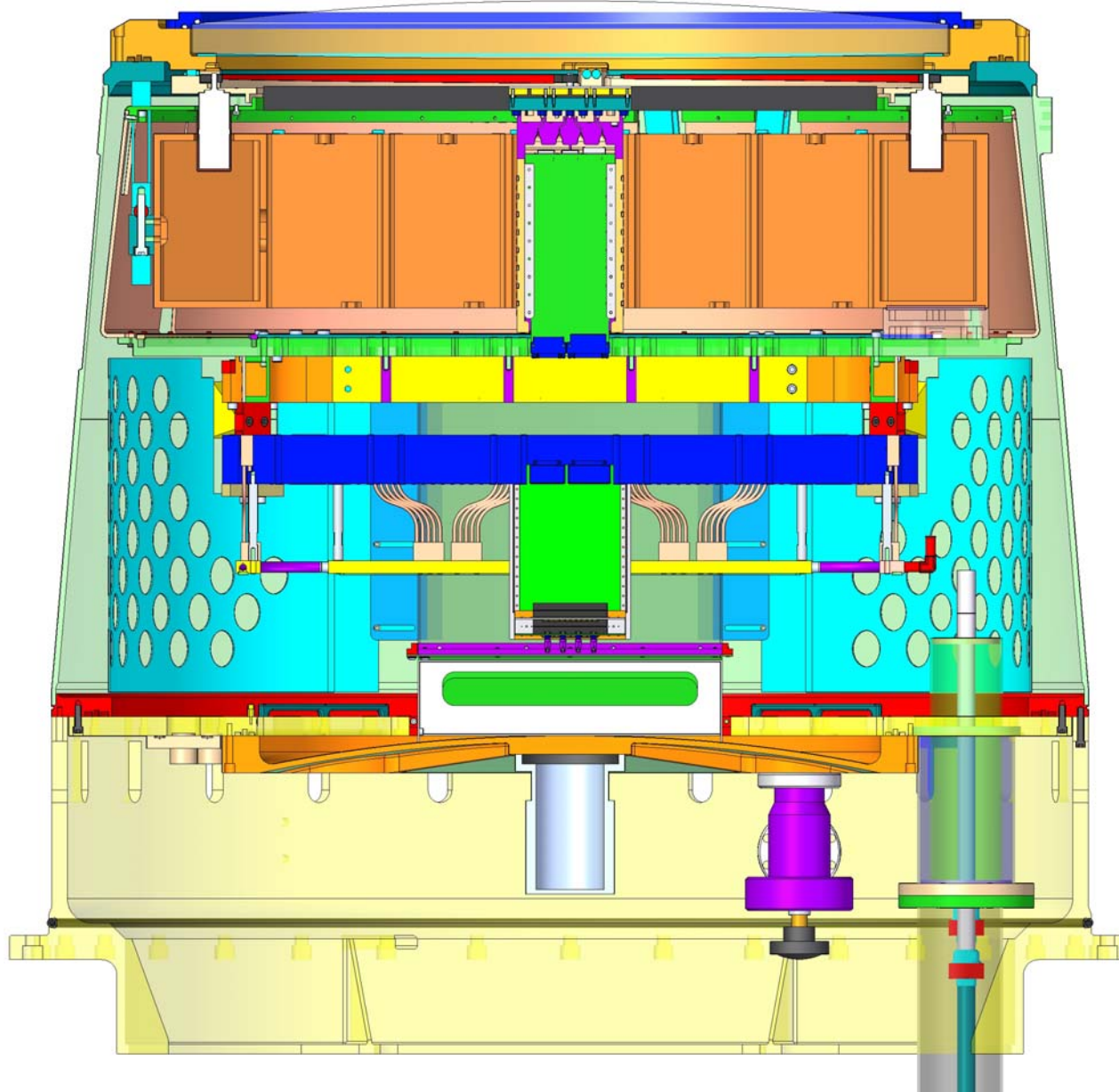
Cryostat 3/4 Section Isometric View



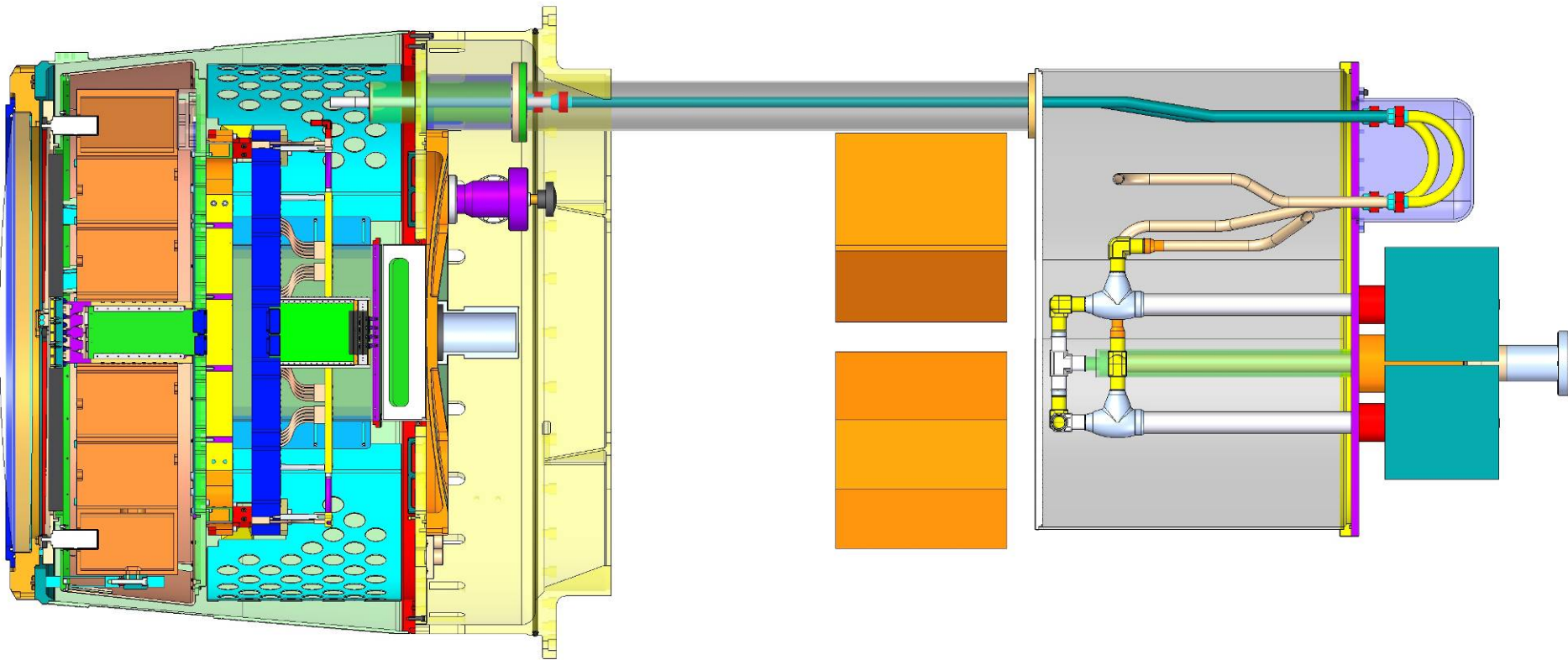
Cryostat XZ-Plane Section



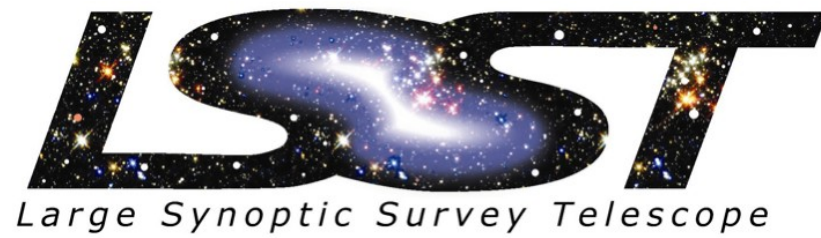
Cryostat YZ-Plane Section



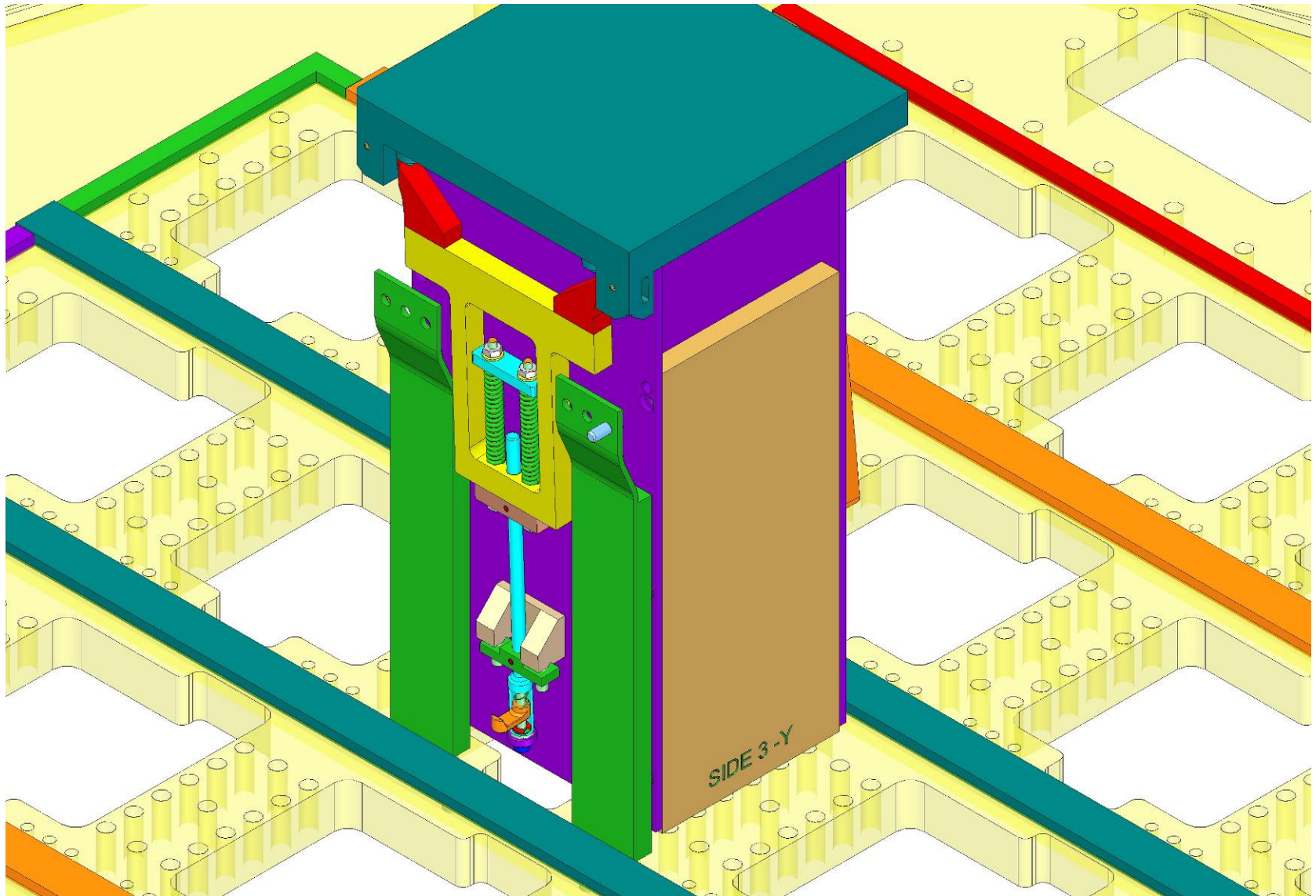
Cryostat and Valve Box YZ-Plane Section



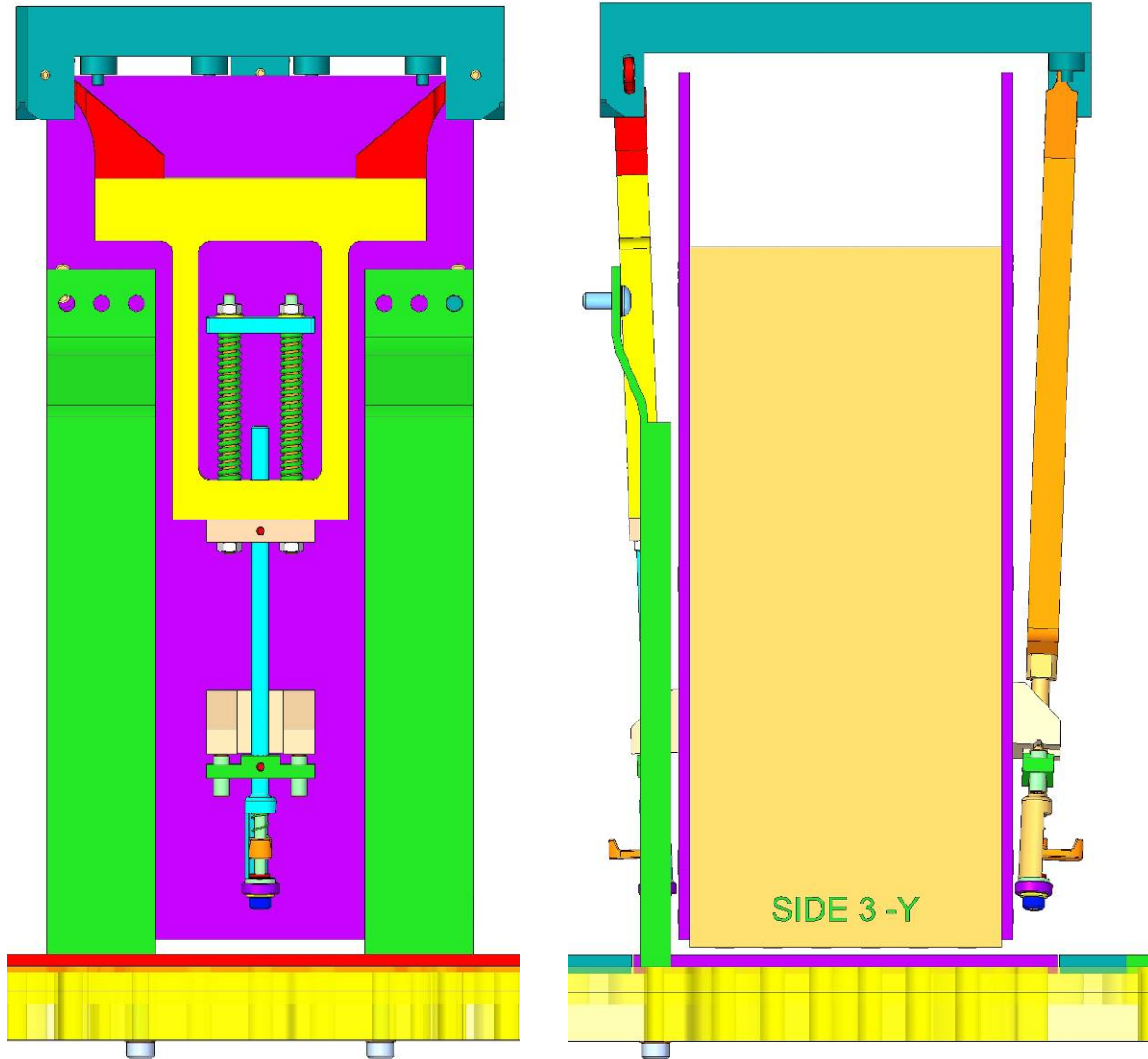
Raft Tower Load Transfer



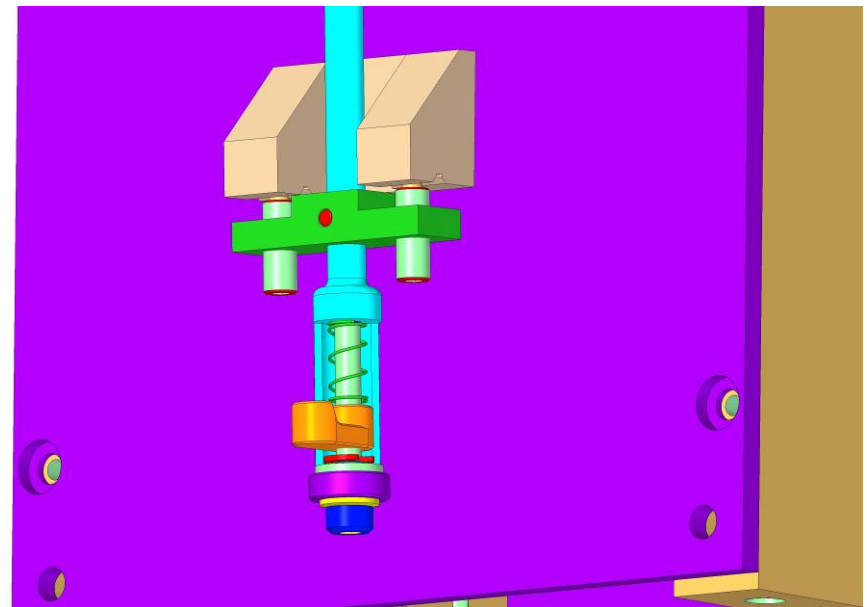
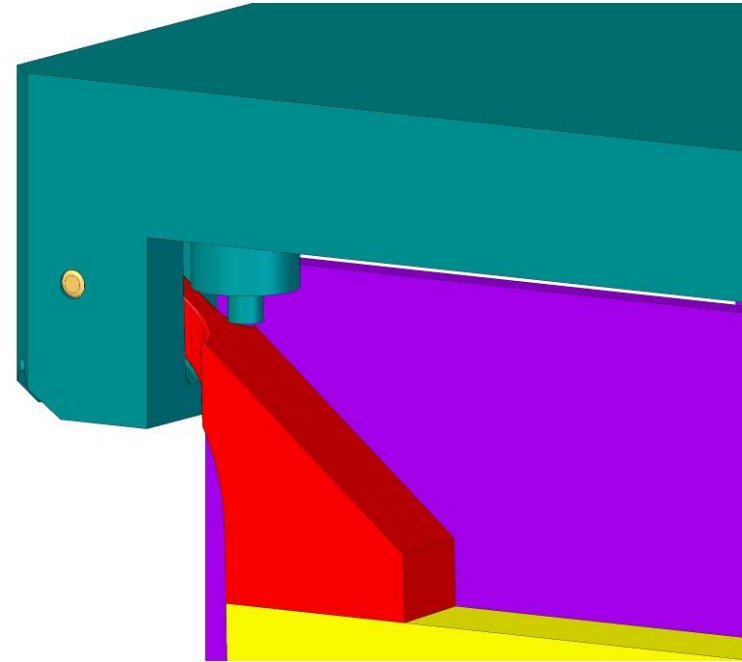
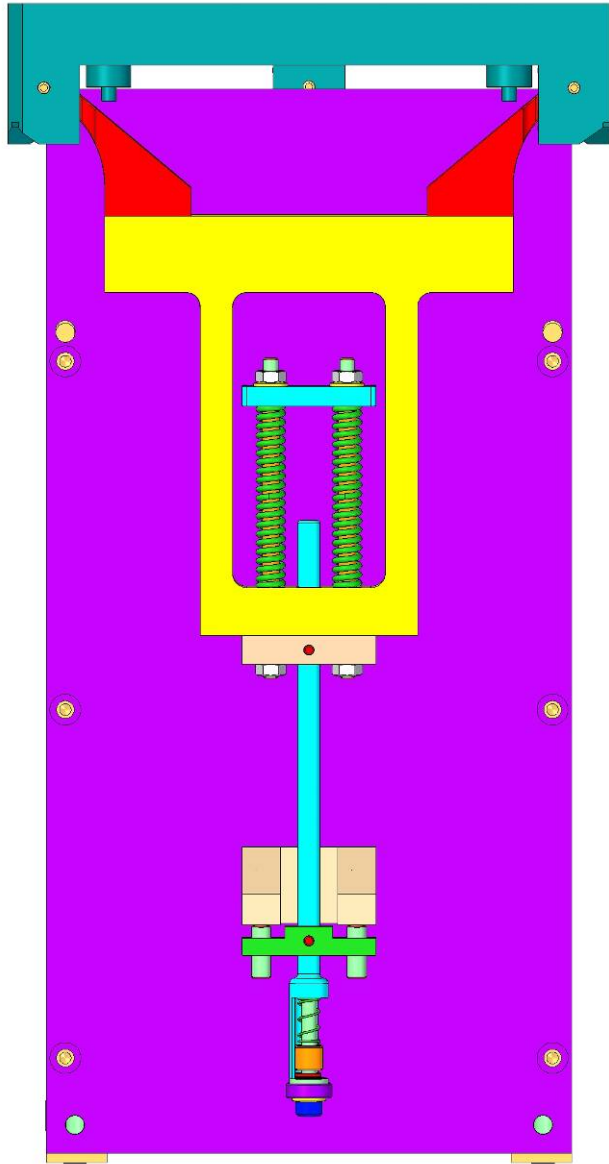
Raft Tower on Cryo Plate



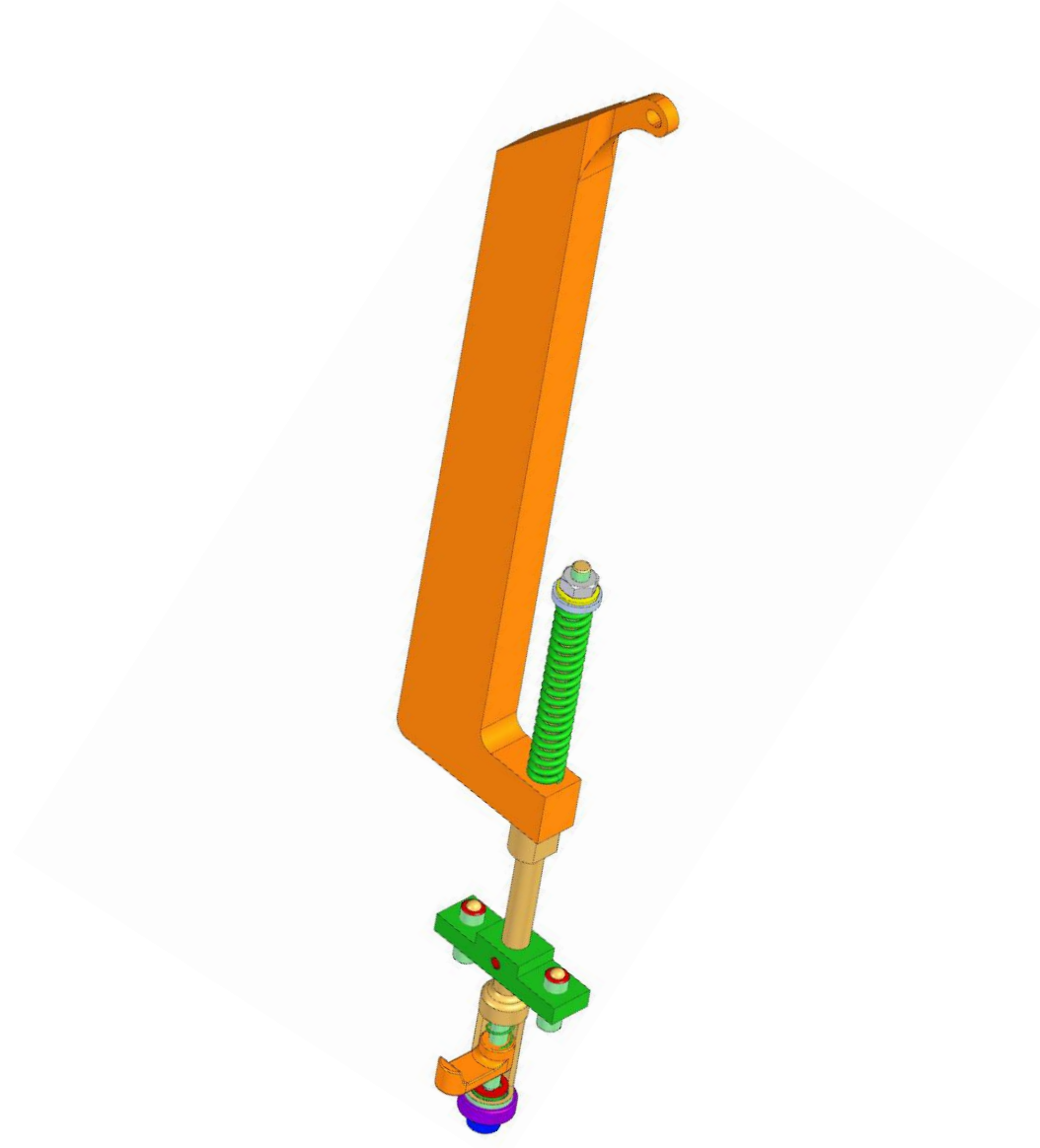
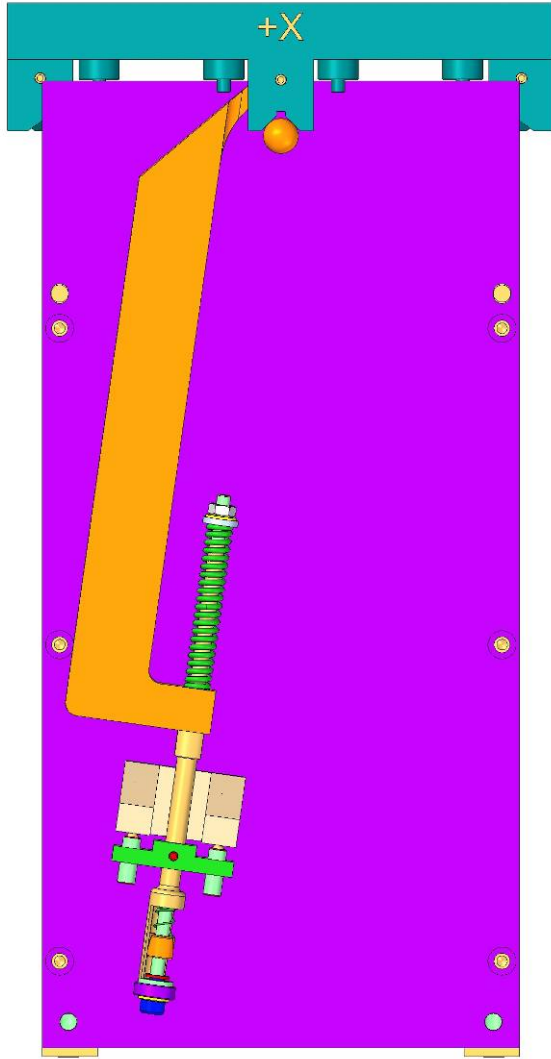
Raft Tower Side Views



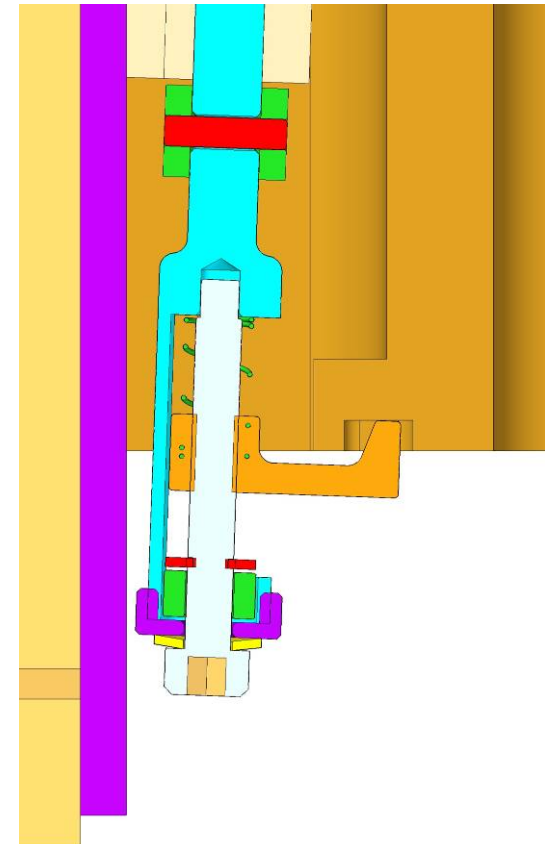
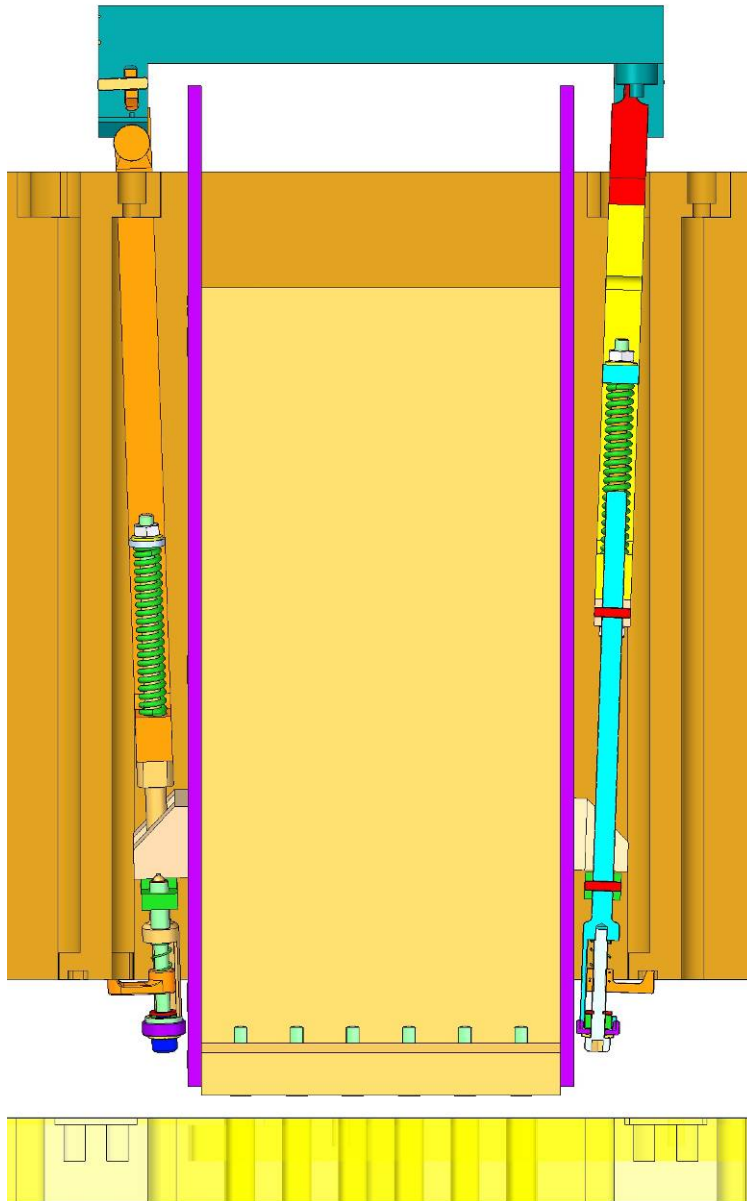
Raft Hold-Down Device Details: -X Side



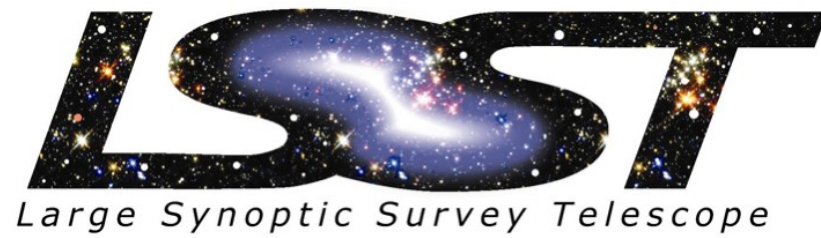
Raft Hold-Down Device Details: +X Side



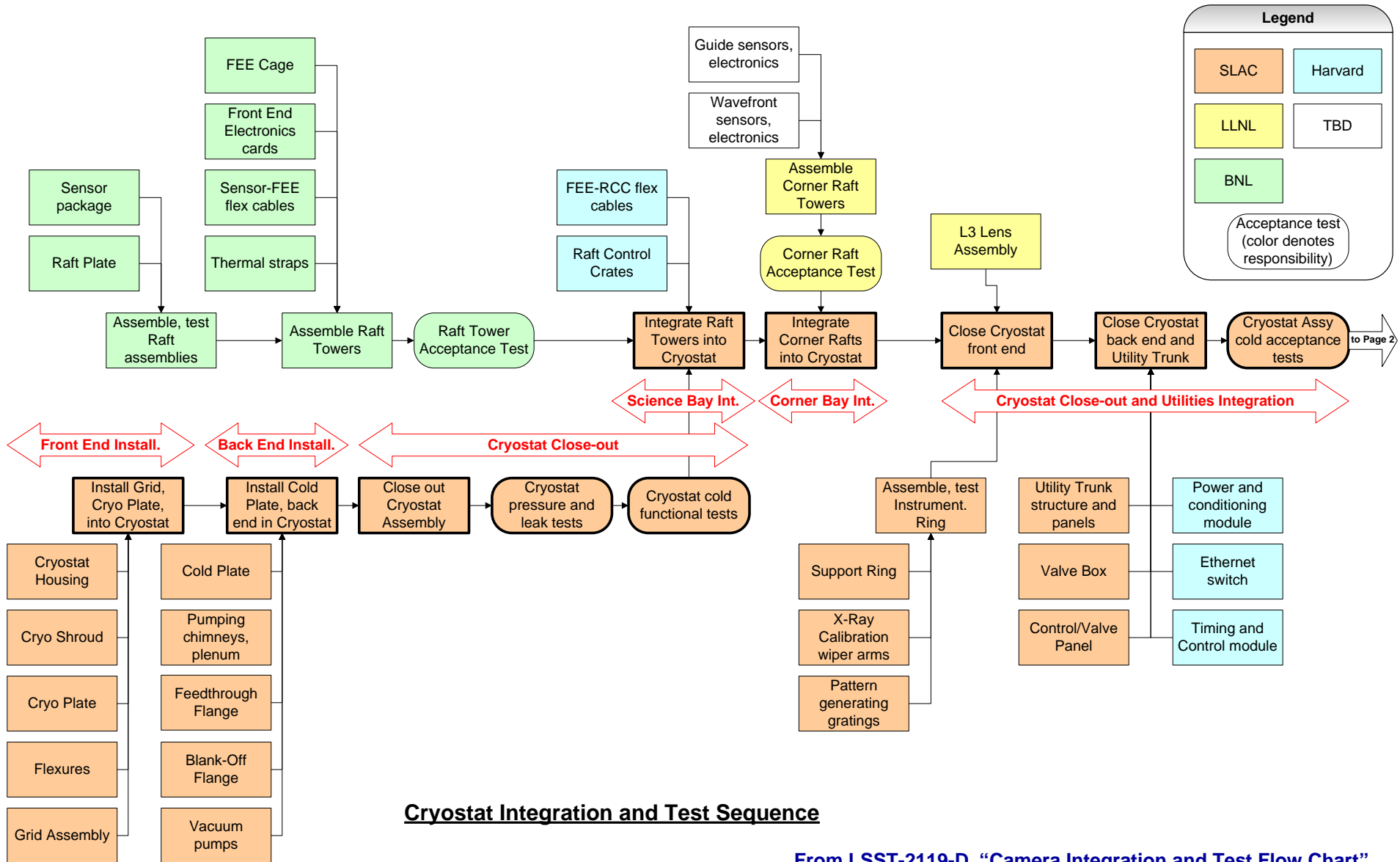
Raft Tower Hold-Down in a Grid Bay



Cryostat Integration and Fixturing

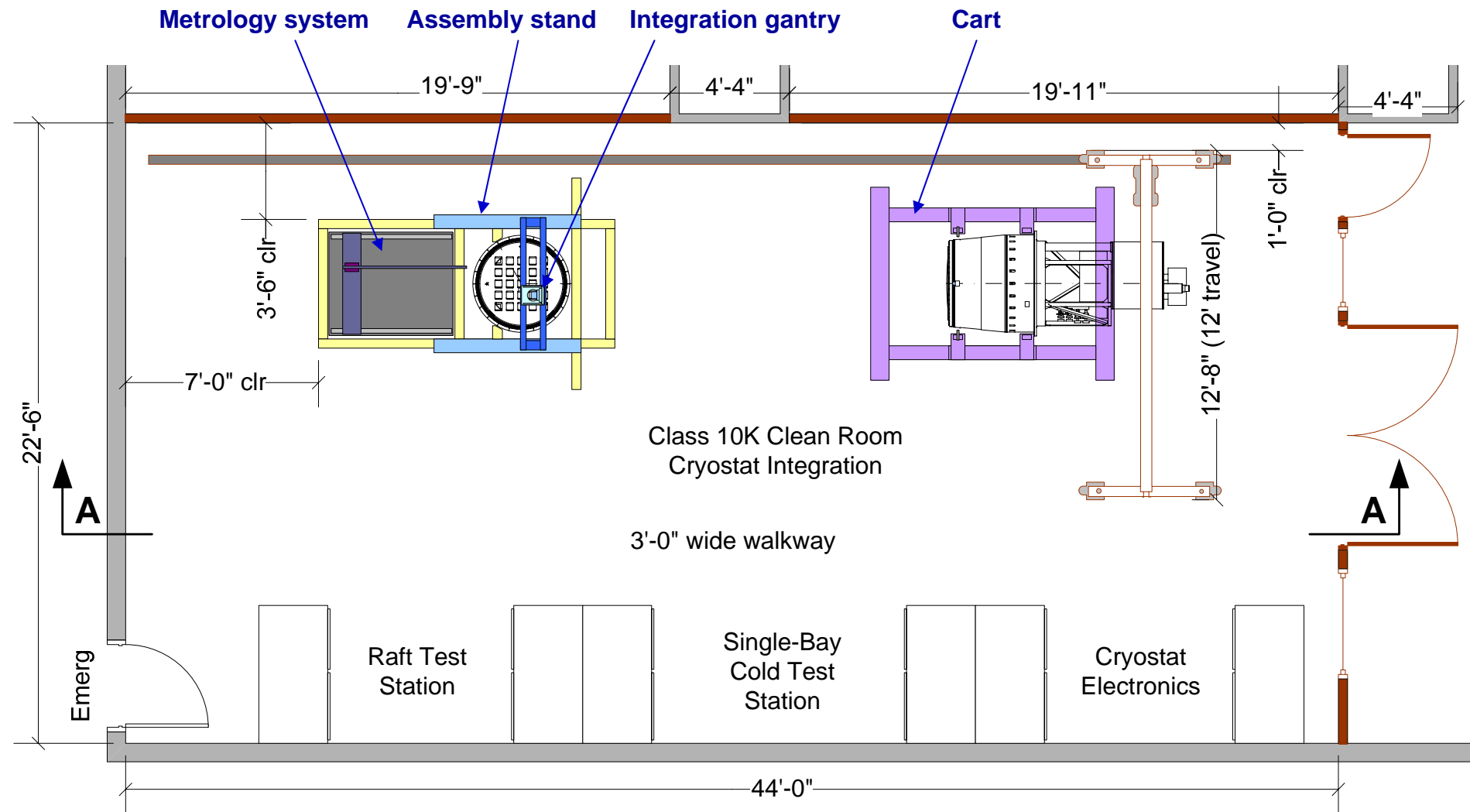


Cryostat Assembly and Integration Flow



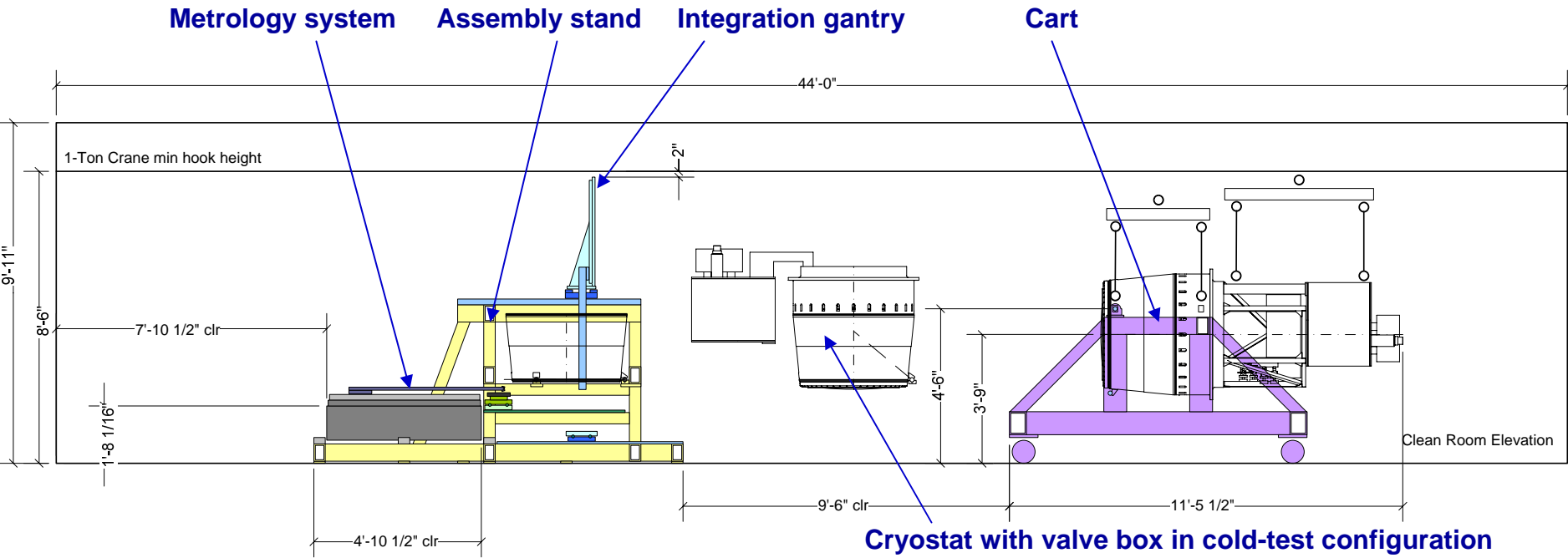
From LSST-2119-D, "Camera Integration and Test Flow Chart"

Cryostat Integration Facility—Plan View



From LSST-6176-A, "SLAC Bldg 33 Camera I&T Facility Layout"

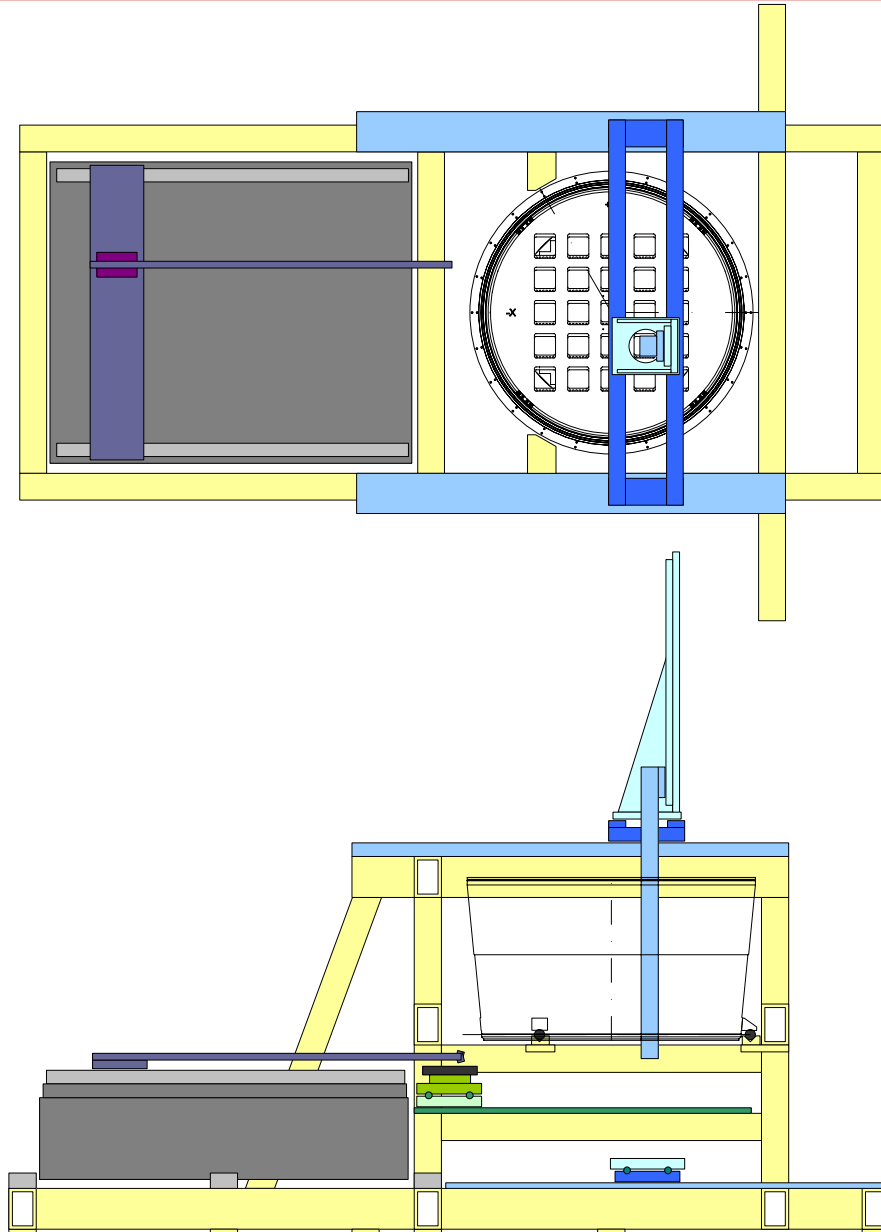
Cryostat Integration Facility—Elevation View



Room 103 Elevation A-A: Integrate Raft Towers into Cryostat

From LSST-6176-A, "SLAC Bldg 33 Camera I&T Facility Layout"

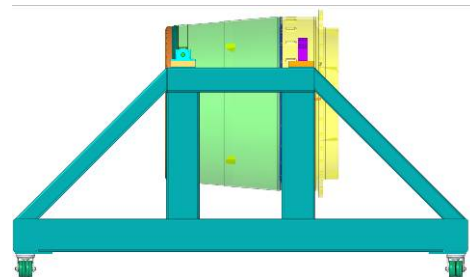
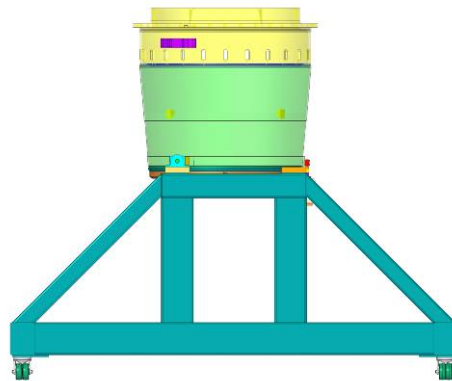
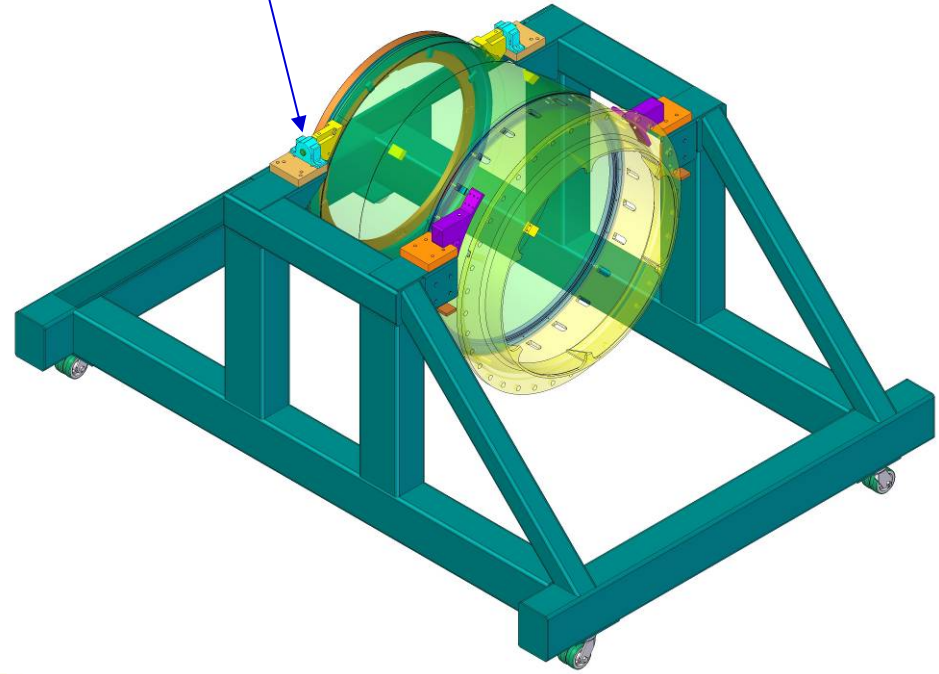
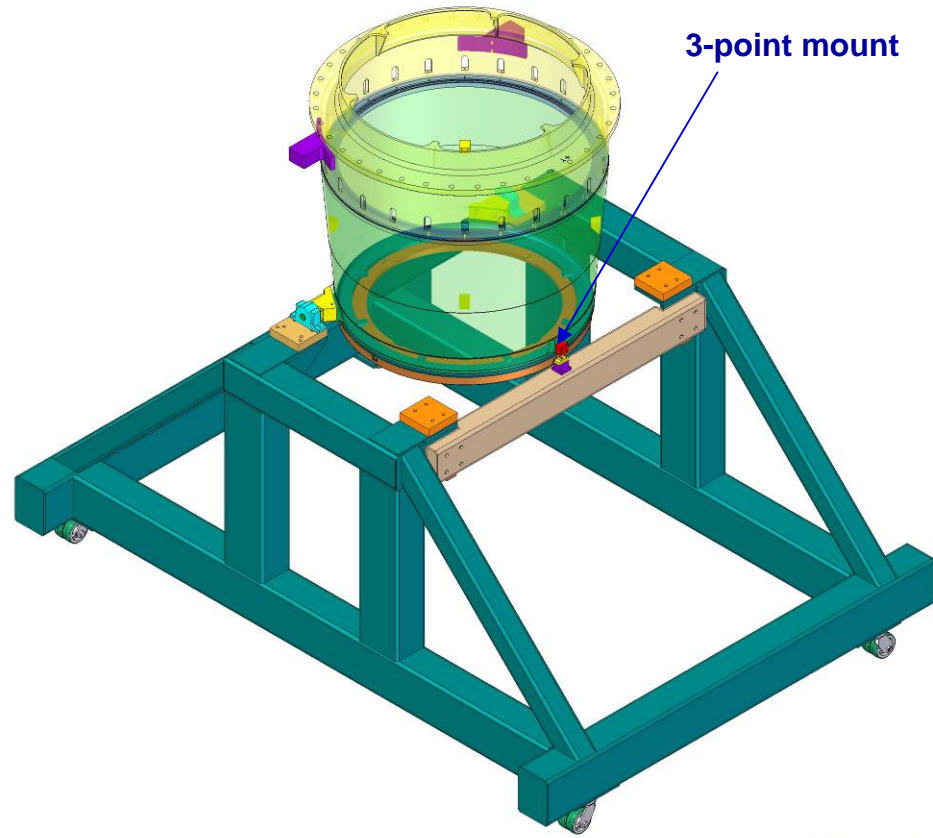
Cryostat Integration Fixture



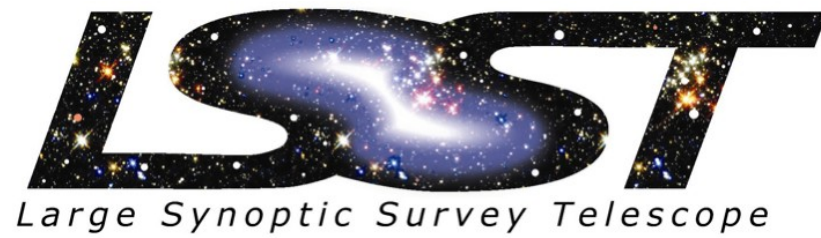
Cryostat Cart

3-point mount

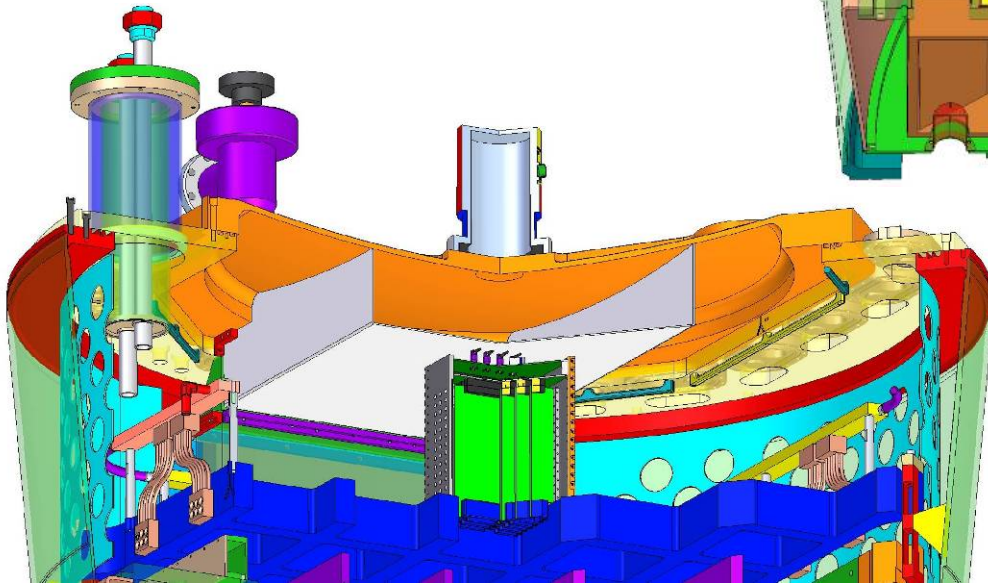
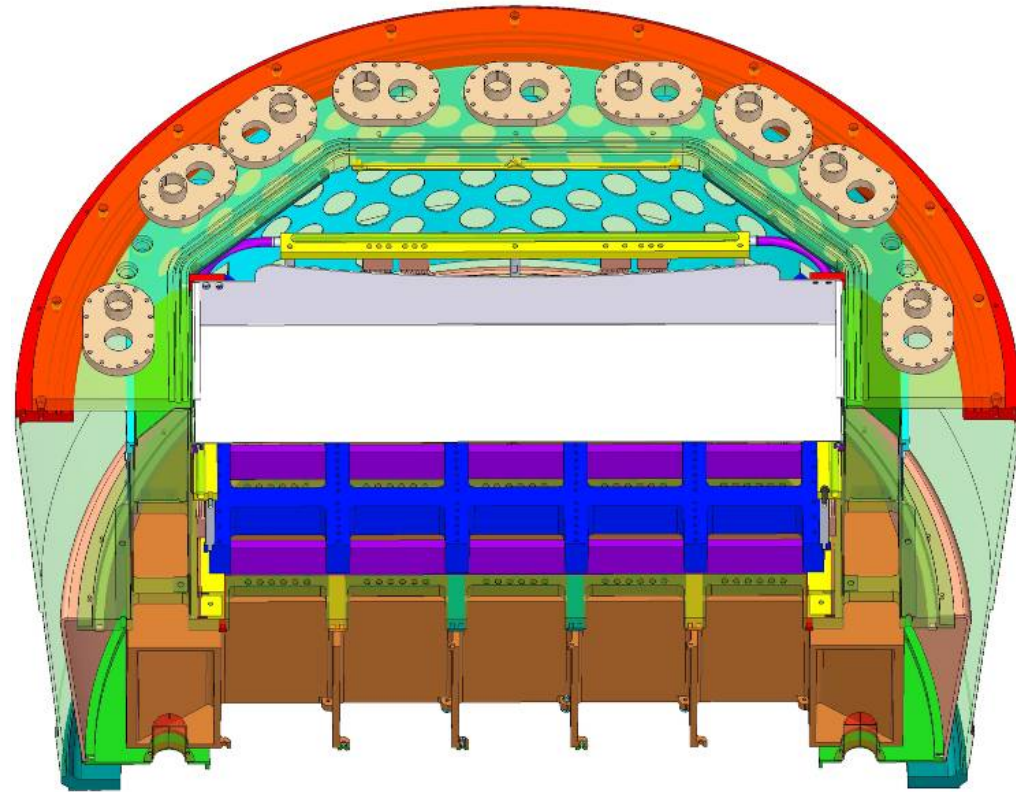
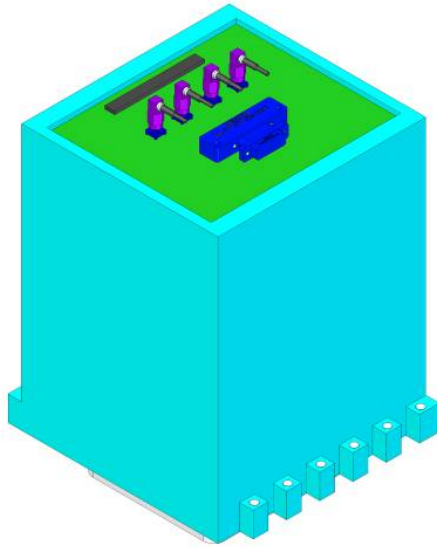
Cryostat pivots around mounting points during rotation

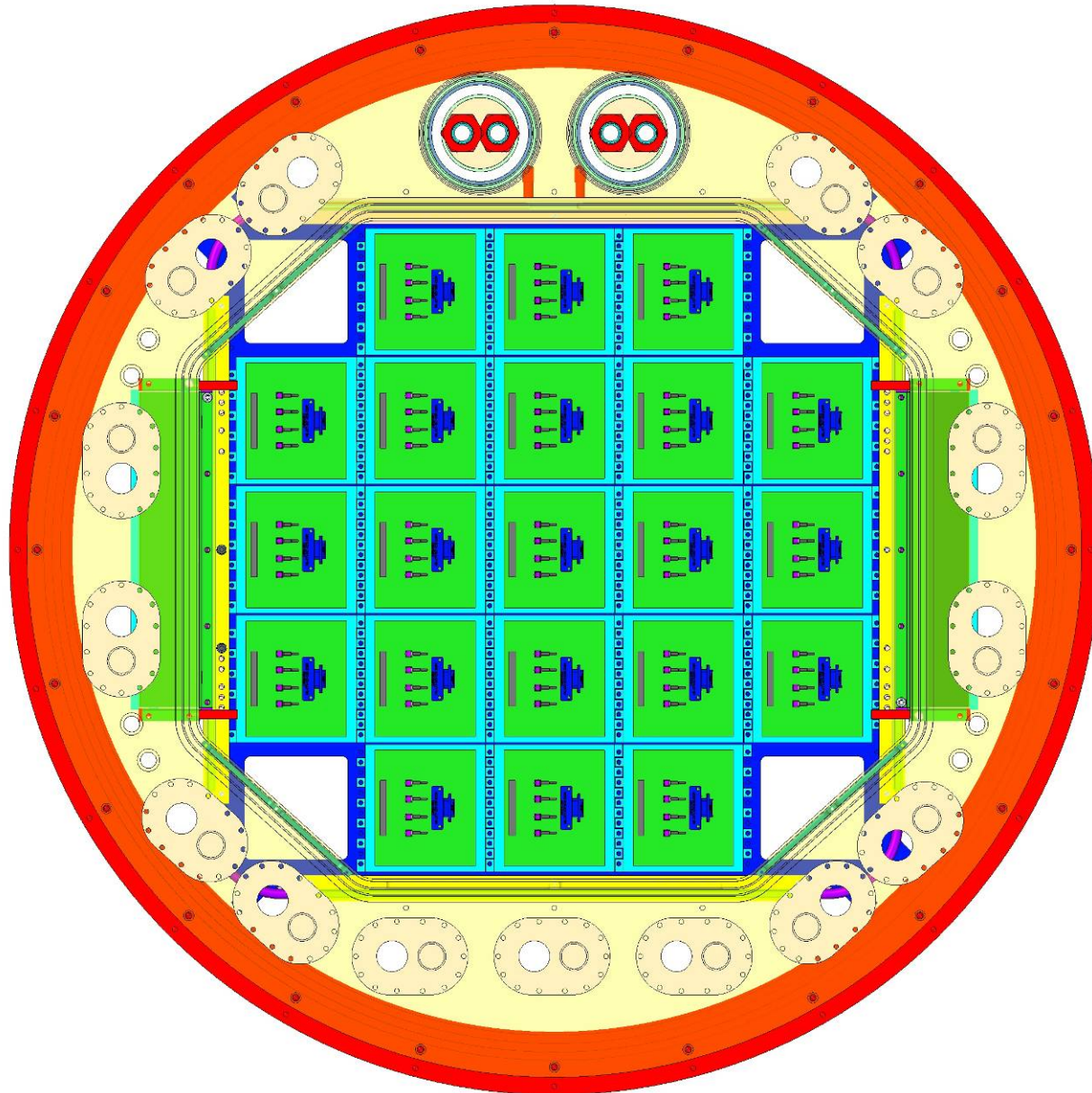


Back End Cable Routing

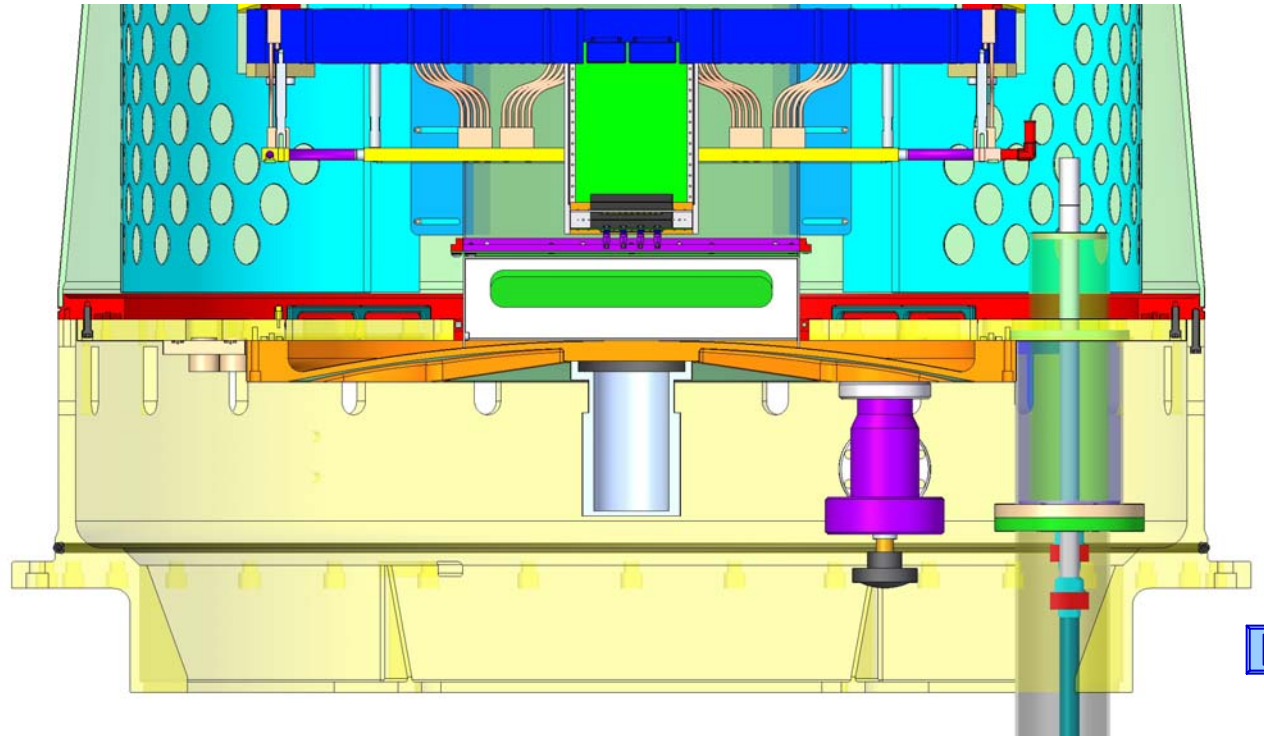
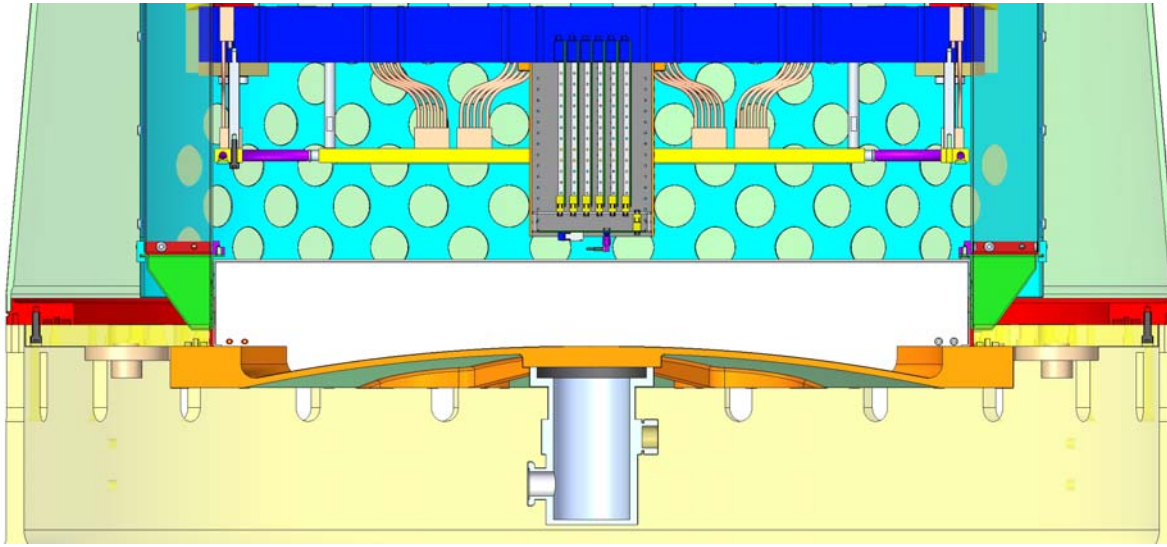


Back End Cable Routing

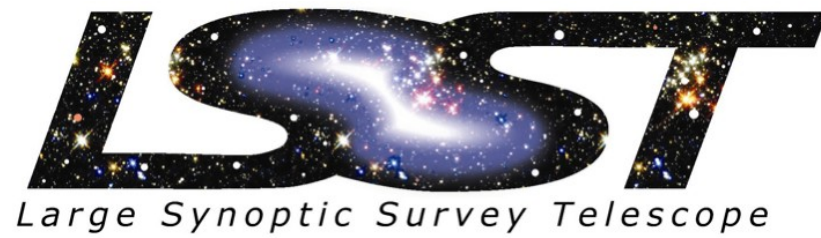




Back End Section Views



Front End Vacuum Barrier



Cryostat Vacuum

