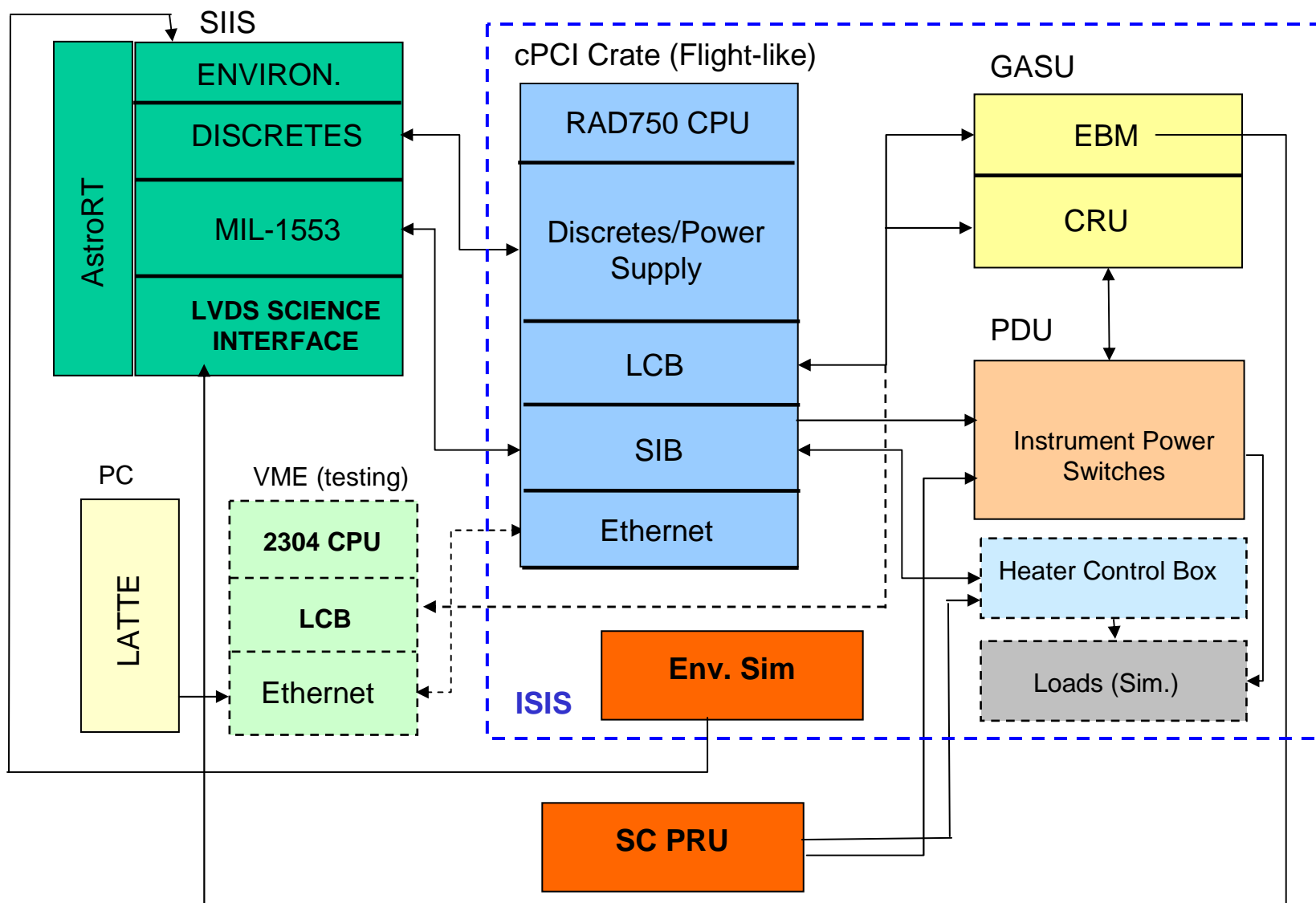
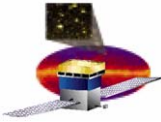
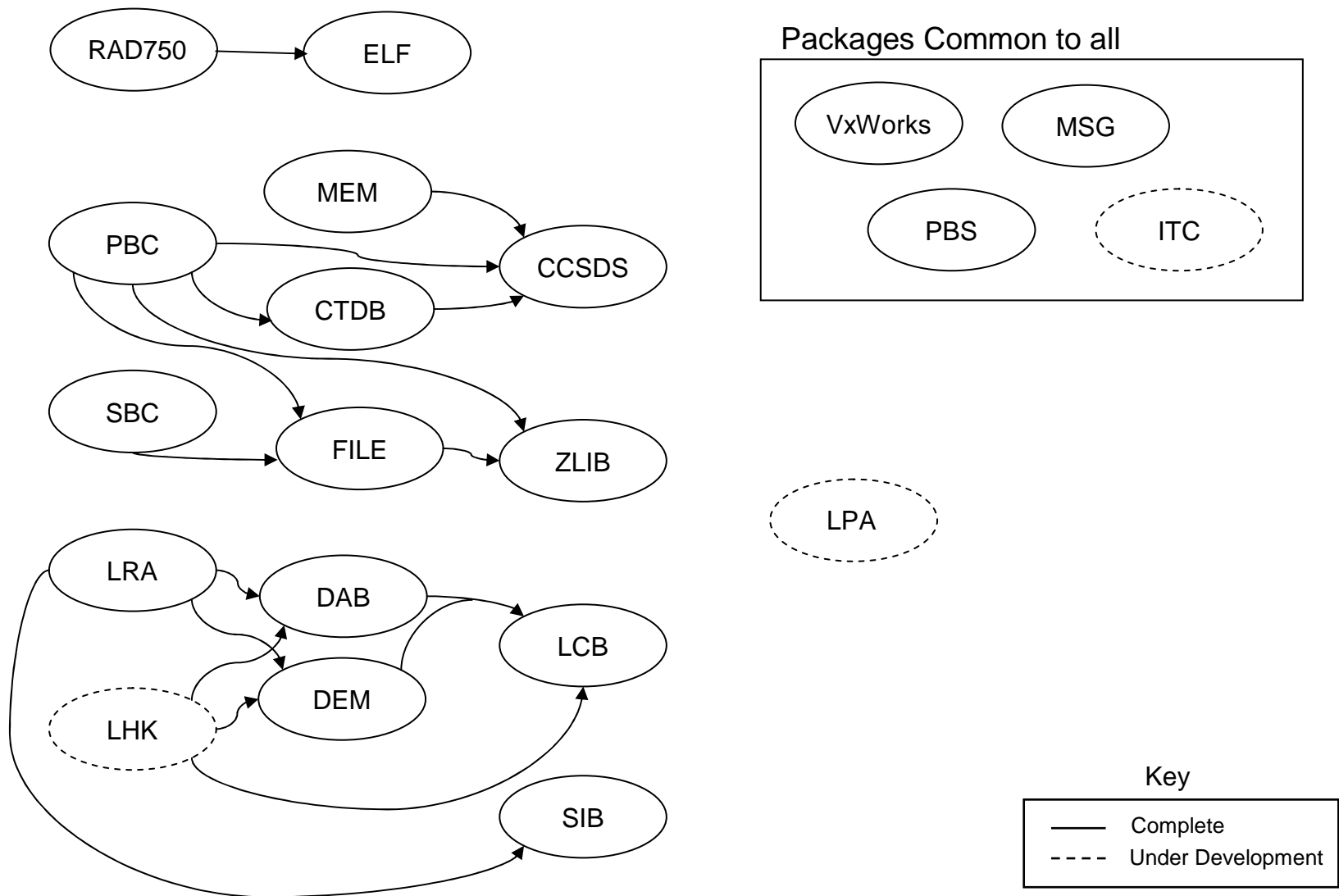


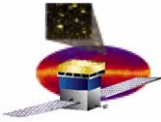
ISIS Test-Stand/Hardware





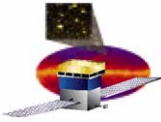
ISIS Software Packages





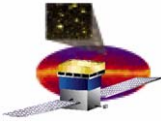
ISIS Software Work Remaining

- ITC package is under heavy development
 - Complete by 7/1
- Science Data Generator still under development
 - Test commands for Pattern Generation
 - Test commands for variable packet length
 - Etc.
- Majority of Diagnostic Telemetry still under development
 - Should be complete by 7/1
- Test Script Development
 - Delivery of SDIS/AstroRT allows test development to proceed without all LAT hardware in place.



ISIS Critical Path Items

- **SIIS delivery**
 - **Scheduled for arrival 7/9**
- **GASU availability**
 - **Possible priority shift in ACD delivery schedule to provide one early**
 - **Need to continue debugging Science Interface – delayed by SIIS/SDIS delivery slip**
- **ITC code completion**
 - **Scheduled for completion 7/1**
- **RAD750 availability**
 - **Shipping from Spectrum**
- **Heater Control PCBs**
 - **Work continuing with Lockheed, no date for completion yet.**
- **SIU Crate backplane & power supply**
 - **Will be here by 6/18**



ISIS Delivery

- **Currently scheduled for delivery on 9/9**
 - **Installation and training scheduled for 1 week**
- **Need EGSE such as SDIS (minimum) for Site Acceptance Test**
 - **Spectrum scheduled to dismantle end of August**
 - **Shipment of actual SIIS will delay FSW development/testing by 3 or more weeks**
- **ISIS Requirements**
 - **Scheduled for review by CCB tomorrow (6/3)**
- **ISIS Test Plan out for review, ATP to follow shortly**